

Model HL 18TC70 Boom

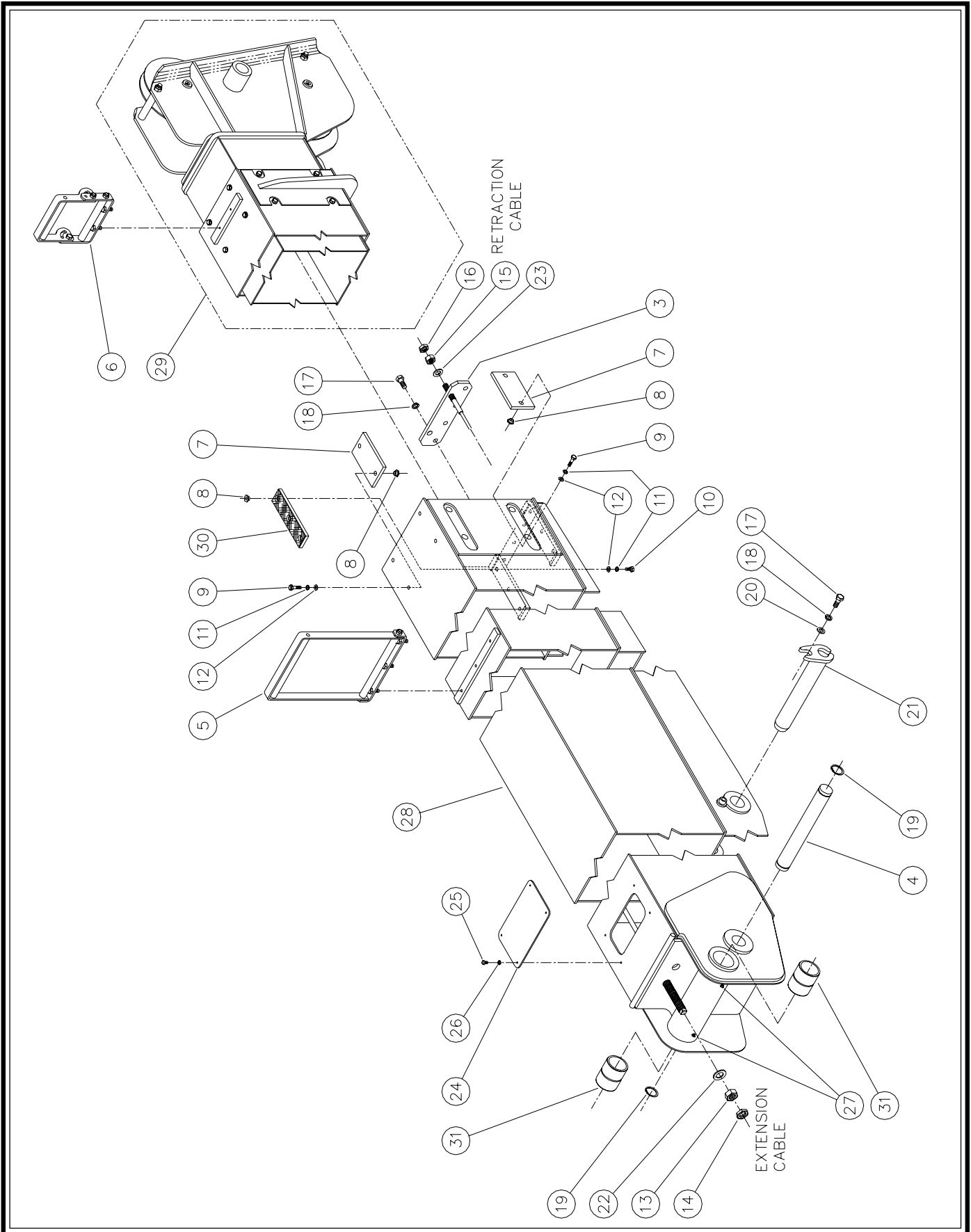
INDEX

3 Stage Boom Assembly	020-58-6907	Page 2, 3
Inner Boom Sub-Assembly	020-58-6922	Page 4, 5
Stinger Boom Sub-Assembly	020-58-6921	Page 6, 7
Sheave Head Assembly	020-58-6923	Page 8
Extension Cylinder Assembly	604-58-8139	Page 9
Extension Cylinder Sub-Assembly.....	020-58-6920	Page 10, 11
Extension Cylinder Assembly (Old Style)	604-58-6816	Page 12

Hydra-Lift Crane HL18TC70 3 Stage Boom ASSEMBLY # 020-58-6907



Revised Jan. 5, 1998





Hydra-Lift Crane HL18TC70
3 Stage Boom
ASSEMBLY # 020-58-6907

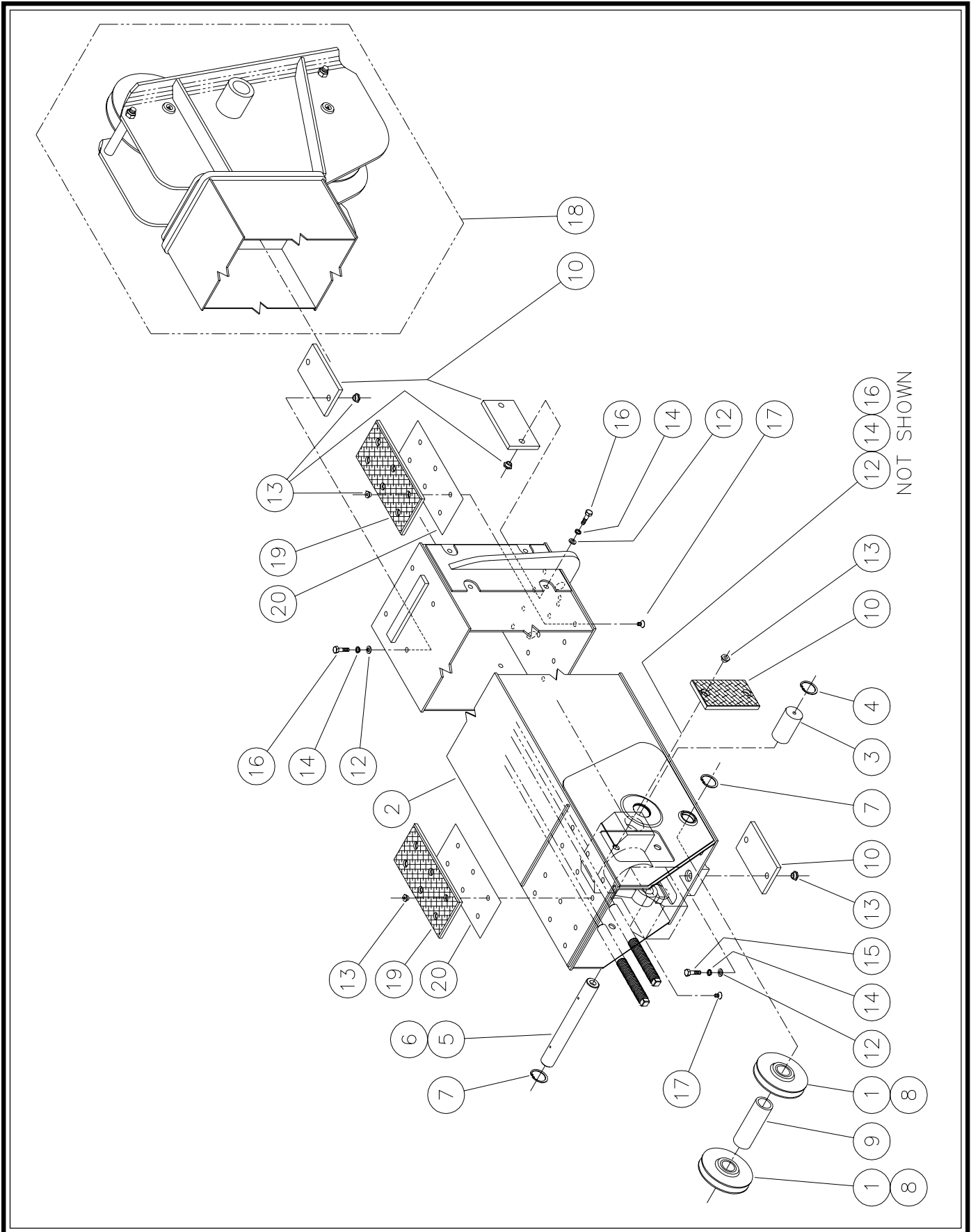
Revised Jan. 8, 1998

ITEM	PART NO.	DESCRIPTION	QTY
1	020-58-7629	Shim 1/16" - 2" X 12" (use as required - not shown)	Ref
2	081-58-3281	Shim 1/16" - 4" X 7" (use as required - not shown)	Ref
3	020-58-6914	Anchor Weldment Retraction Cable	1
4	071-58-7880	Shaft Extension Cylinder Base	1
5	073-58-3703	Cable Guide Assembly #1 (includes items 5-1 to 5-8)	1
5-1	073-58-3598	Cable Guide Bracket Weldment	1
5-2	562-05-0008	1/2-13 UNC Nylock Nut (Gr.5)	2
5-3	560-24-2004	1/2" Ø Flatwasher (Gr.8)	4
5-4	561-01-3153	3/8-16 UNC HHCS x 3/4" lg (Gr.8)	3
5-5	560-24-0003	3/8" Ø Lockwasher (Gr.8)	3
5-6	073-58-3403	Cable Guide Bracket Bottom	1
5-7	081-58-3404	Rod Roller Bottom	1
5-8	082-58-3399	Tube Roller	1
6	073-58-3704	Cable Guide Assembly #2 (include items 6-1 to 6-8)	1
6-1	020-58-6673	Cable Guide Bracket Weldment	1
6-2	562-05-0008	1/2-13 UNC Nylock Nut (Gr.5)	4
6-3	560-24-2004	1/2" Ø Flatwasher (Gr.8)	6
6-4	561-01-3153	3/8-16 UNC HHCS x 3/4" lg (Gr.8)	3
6-5	560-04-0003	3/8" Ø Lockwasher (Gr.8)	3
6-6	073-58-3408	Cable Guide Bracket Bottom	1
6-7	081-58-3422	Rod Roller Bottom	1
6-8	561-01-3185	1/2-13 UNC HHCS x 1-1/4" lg (Gr.8)	2
7	081-58-3010	Rub Pad - 4" x 7"	6
8	000-47-0394	Nut Insert	18
9	561-01-3154	3/8-16 UNC HHCS x 7/8" lg (Gr.8)	12
10	561-01-3158	3/8-16 UNC HHCS x 1-3/4" lg (Gr.8)	6
11	560-04-0003	3/8" Ø Lockwasher (Gr.8)	18
12	560-24-2002	3/8" Ø Flatwasher (Gr.8)	18
13	562-03-0311	1-1/8-7 UNC Hex Nut (Left Hand Thread) (Gr.8)	Ref
14	562-03-0310	1-1/8-7 UNC Jam Nut (Left Hand Thread) (Gr.8)	Ref
15	562-03-0316	3/4-10 UNC Hex Nut (Left Hand Thread) (Gr.8)	Ref
16	562-03-0315	3/4-10 UNC Jam Nut (Left Hand Thread) (Gr.8)	Ref
17	561-01-3003	5/8-11 UNC HHCS x 1-1/2" lg (Gr.8)	5
18	560-04-0008	5/8" Ø Lockwasher (Gr.8)	5
19	559-63-1200	Retaining Ring External (Truac N5100-200)	2
20	560-24-2006	5/8" Ø Flatwasher (Gr.8)	1
21	071-58-7759	Pin Topping Cylinder Rod End	1
22	560-25-0007	1-1/8" Ø Hardened Flatwasher (Gr.5)	2
23	560-25-0509	3/4" Ø Hardened Flatwasher (Gr.5)	2
24	020-58-6117	Cover Plate - Outer Boom	1
25	561-01-3127	5/16-18 UNC HHCS x 1/2" lg (Gr.8)	4
26	560-04-0002	5/16" Ø Lockwasher (Gr.8)	4
27	557-00-1610	Grease Fitting - 1/8" NPT Straight	2
28	020-58-6861	Boom Weldment	1
29	020-58-6922	Inner Boom Assembly	Ref
30	020-58-7626	Rub Pad - 2" x 12"	2
31	020-58-7018	Bushing - (Supplied with item 28)	2

Hydra-Lift Crane HL18TC70 Inner Boom SUB-ASSEMBLY # 020-58-6922



Revised Jan. 5, 1998





Hydra-Lift Crane HL18TC70
Inner Boom
SUB-ASSEMBLY # 020-58-6922

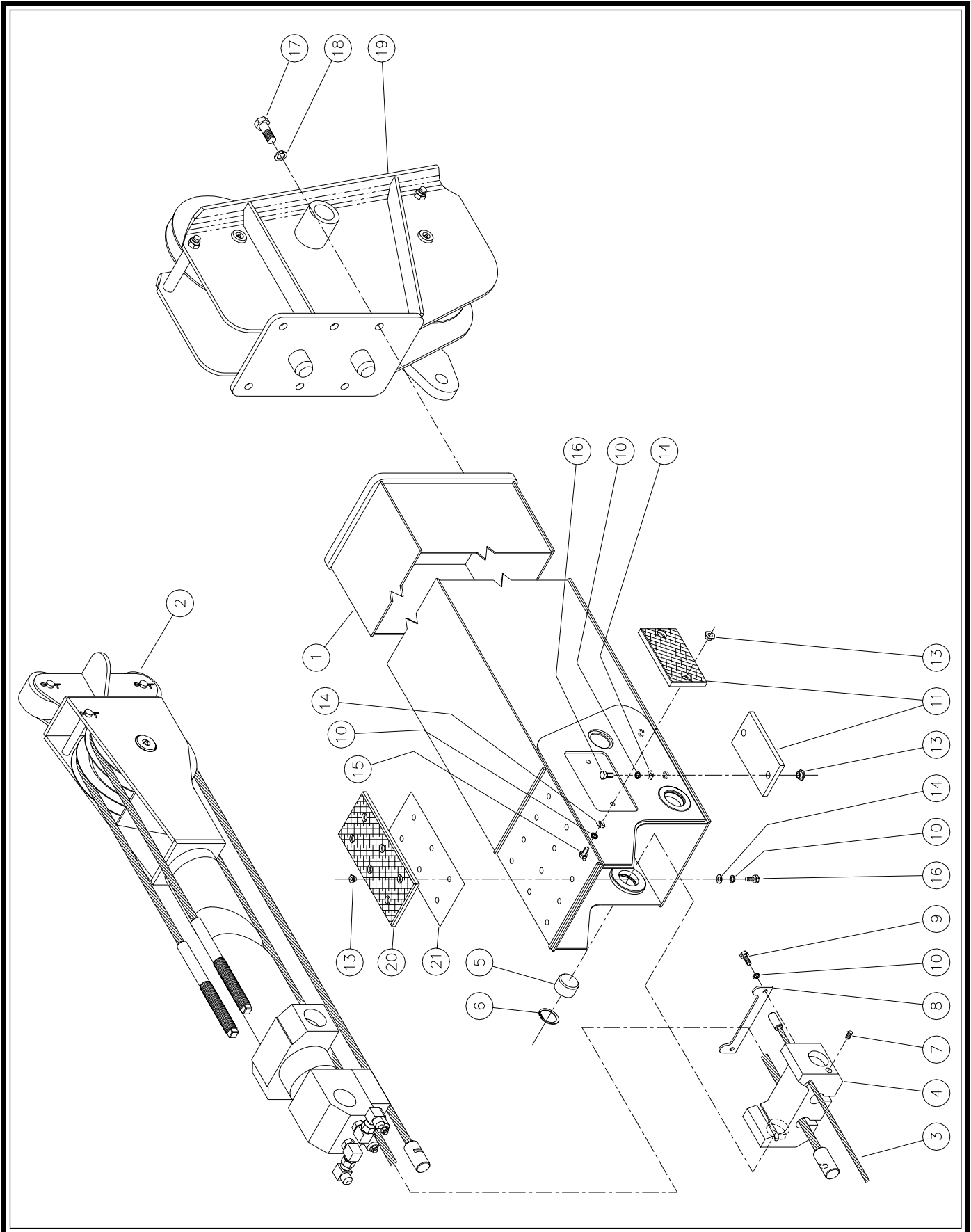
Revised Jan. 5, 1998

ITEM	PART NO.	DESCRIPTION	QTY
1	020-58-6676	Sheave Bushing (Steel Sheave ONLY supplied with item 8)	2
	519-046-013	Sheave Bushing (Nylatron Sheave ONLY supplied with item 8)	2
2	020-58-6882	Inner Boom Weldment	1
3	071-58-3162	Trunion Extension Cylinder & Cable Anchor	2
4	559-63-0200	Retaining Ring Internal (Truarc N5000 200)	2
5	020-58-7945	Shaft Ret. Sheave	2
6	557-00-1610	Grease Fitting (1/8 NPT - Straight)	2
7	559-63-1150	Retaining Ring External (Truarc N5100-150)	2
8	020-58-6644	Sheave - Ret. Cable (includes item 1)	2
9	020-58-6915	Spacer Tube - Ret. Sheave	1
10	081-58-3010	Rub Pad	9
11	081-58-3281	Shim 1/16" (use as required, not shown)	9
12	560-24-2002	3/8" Ø Flatwasher (Gr.8)	18
13	000-47-0394	Nut Insert	42
14	560-04-0003	3/8" Ø Lockwasher (Gr.8)	18
15	561-01-3157	3/8-16 UNC HHCS x 1-1/2" lg (Gr.8)	2
16	561-01-3154	3/8-16 UNC HHCS x 7/8" lg (Gr.8)	16
17	561-04-0102	3/8-16 UNC Flat Socket HCS x 3/4" lg (Gr.8)	24
18	020-58-6921	Stinger Boom Assembly	Ref
19	020-58-8468	Rub Pad - 1/2" x 5-1/2" x 12"	4
20	081-58-8471	Shim - 16 ga x 5-1/2" x 12"	4

Hydra-Lift Crane HL18TC70
Stinger Boom
SUB-ASSEMBLY # 020-58-6921



Revised Jan. 5, 1998





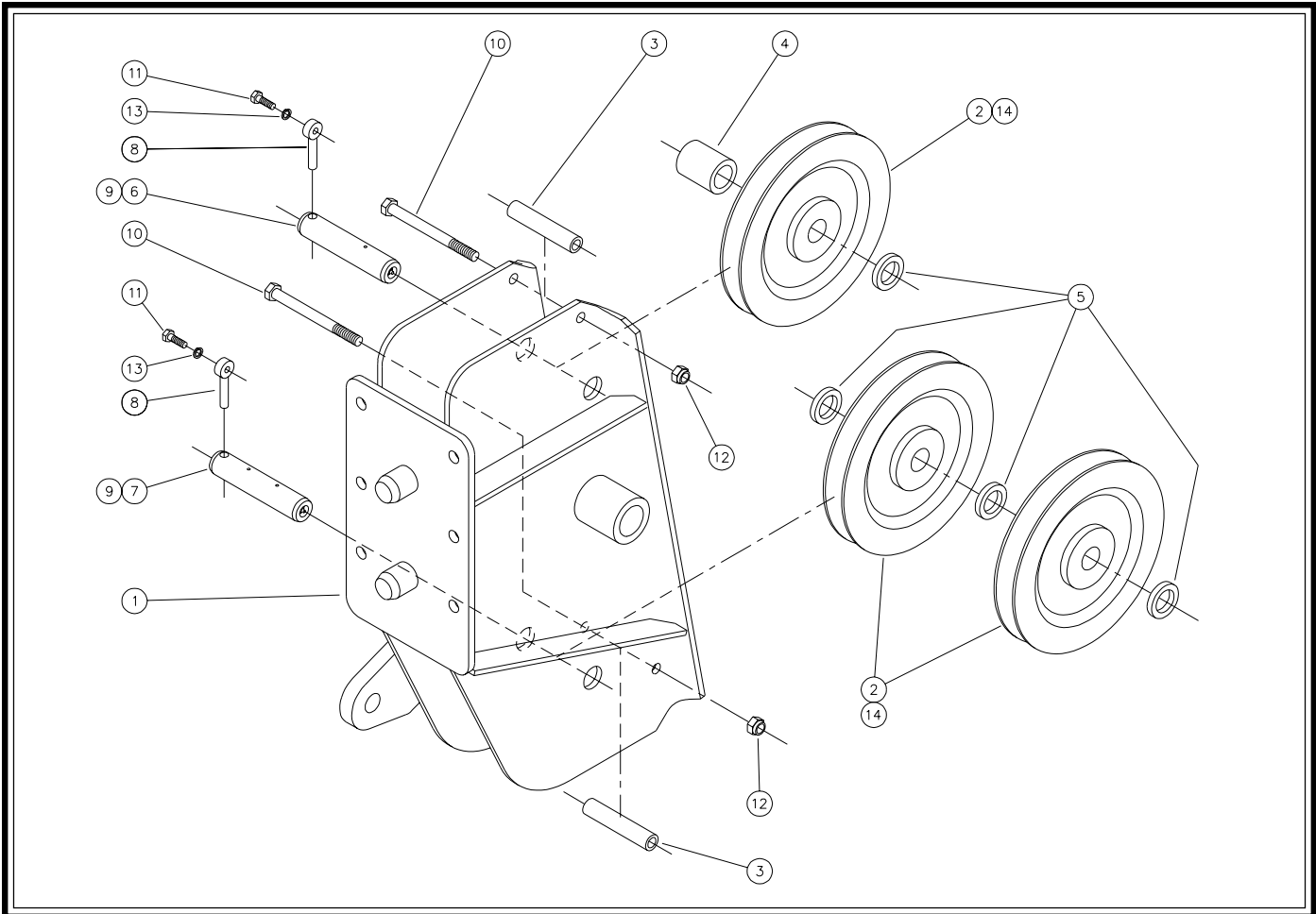
**Hydra-Lift Crane HL18TC70
Stinger Boom
SUB-ASSEMBLY # 020-58-6921**

Revised Jan. 8, 1998

ITEM	PART NO.	DESCRIPTION	QTY
1	020-58-6893	Stinger Boom Weldment	1
2	020-58-6920	Extension Cylinder Sub-Assembly	1
3	040-58-6916	3/8" Ø Cable Assembly - Retraction	2
4	020-58-6911	Cable Anchor	1
5	020-58-6679	Trunion Extension Cylinder & Cable Anchor	2
6	559-63-0200	Retaining Ring - Internal (Truac N5000-200)	2
7	561-41-0018	3/8-16 UNC Set Screw x 1" lg (Gr.8)	2
8	020-58-6919	Locking Bar - Retraction Cable	1
9	561-01-3155	3/8-16 UNC HHCS x 1" lg (Gr.8)	2
10	560-04-0003	3/8" Ø Lockwasher (Gr.8)	22
11	081-58-3010	Rub Pad	4
12	081-58-3281	Shim 1/16" (use as required NOT SHOWN)	4
13	000-47-0394	Nut Insert	20
14	560-24-2002	3/8" Ø Flatwasher (Gr.8)	20
15	561-01-3153	3/8-16 UNC HHCS x 3/4" lg (Gr.8)	4
16	561-01-3154	3/8-16 UNC HHCS x 7/8" lg (Gr.8)	16
17	561-01-3282	3/4-10 UNC HHCS x 2-1/2" lg (Gr.8)	6
18	560-04-0009	3/4" Ø Lockwasher (Gr.8)	6
19	020-58-6923	Sheave Head Ass'y	1
20	020-58-8468	Rub Pad - 1/2" x 5-1/2" x 12"	2
21	081-58-8471	Shim - 16 ga x 5-1/2" x 12"	2

Hydra-Lift Crane HL18TC70 Double Sheave Head ASSEMBLY # 020-58-6923

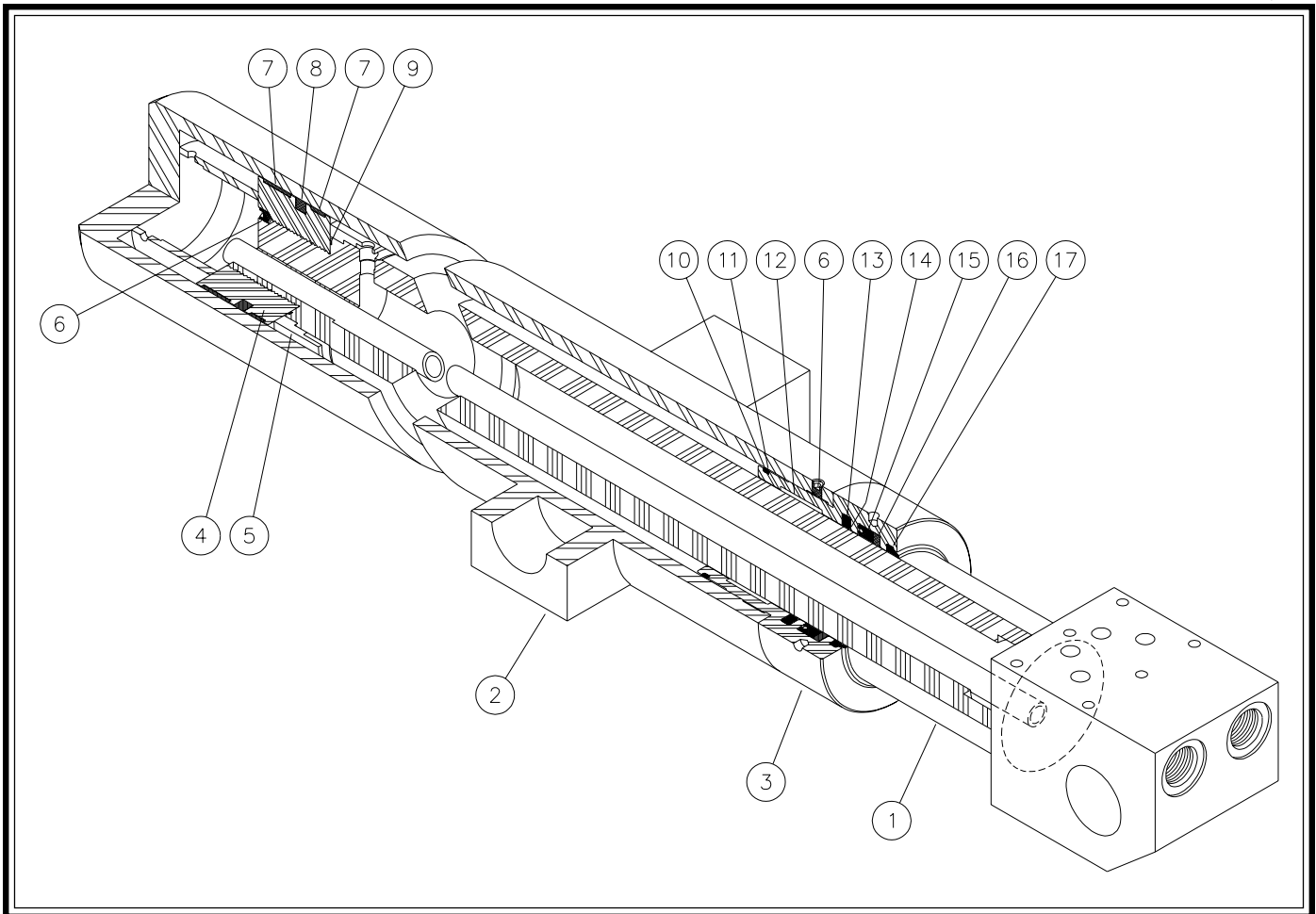
Revised Mar. 21, 1997



ITEM	PART NO.	DESCRIPTION	QTY
1	020-58-6929	Sheave Head Weldment	3
2	070-58-3429	Sheave (includes item 11)	3
3	020-58-6518	Spacer Tube	2
4	561-01-3235	5/8-11 UNC HHCS x 7" lg (Gr.8)	2
5	562-05-0001	5/8-11 UNC Nylock Nut (Gr.5)	2
6	020-58-6516	Spacer-Sheave Upper	1
7	020-58-6517	Spacer-Sheave Lower	4
8	071-58-7307	Sheave Pin (upper)	1
9	071-58-7306	Sheave Pin (lower)	1
10	557-00-1610	Grease Fitting (1/8 NPT - Straight)	4
11	000-58-3212	Sheave Bushing (Steel Sheave ONLY)	3
	519-046-018	Sheave Bushing (Nylatron Sheave ONLY)	3
12	561-01-3156	3/8-16 UNC HHCS x 1-1/4" lg (Gr.8)	2
13	560-04-0003	3/8" Ø Lockwasher	2
14	071-23-0229	Buckeye Lock Pin	2

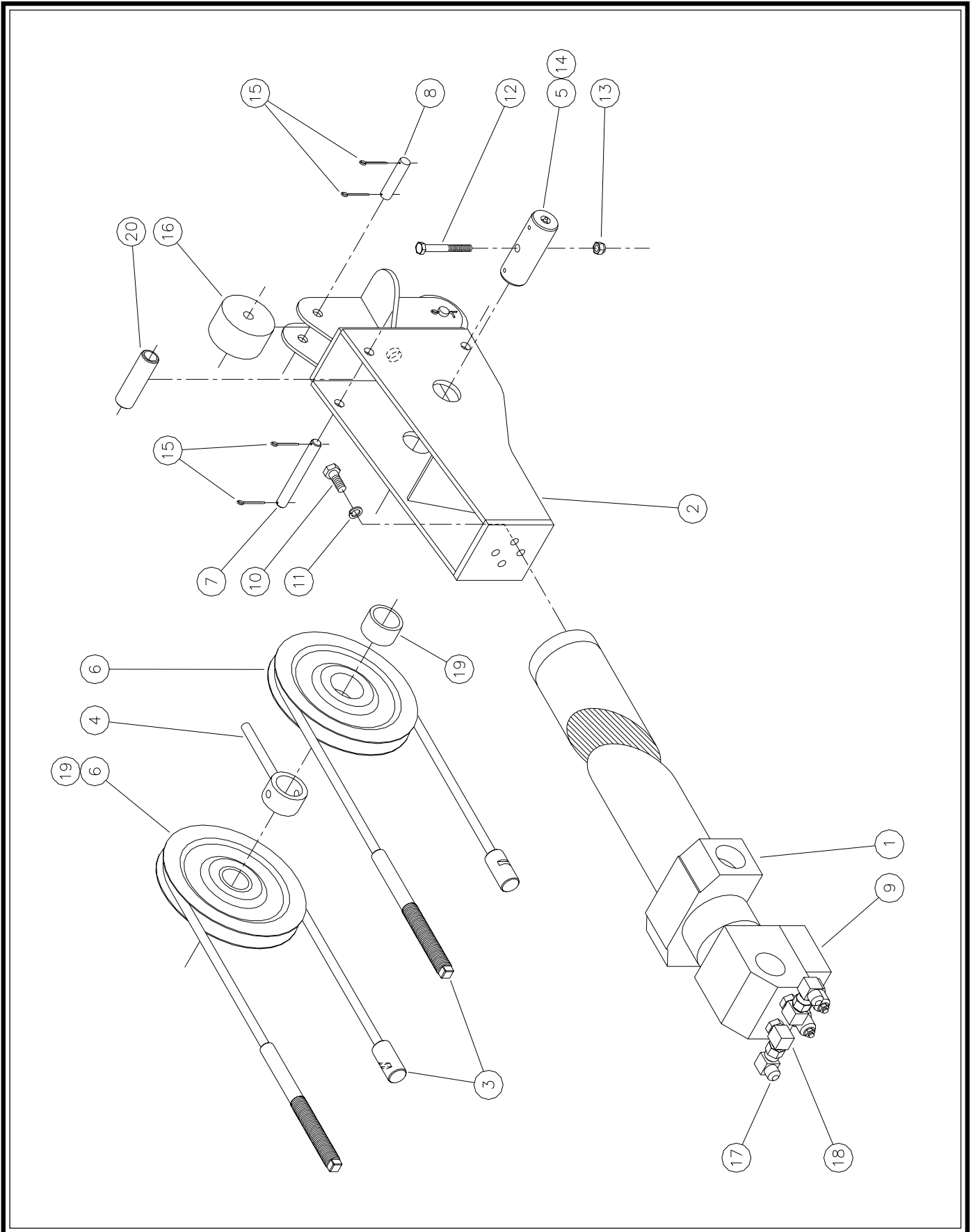
Hydra-Lift Crane HL18TC70
Extension Cylinder (4-1/2" Bore, 3.752" Rod, 206.875" Stroke)
ASSEMBLY # 604-58-8139

Revised Jan. 5, 1998



ITEM	PART NO.	DESCRIPTION	QTY
1	640-58-8403	Rod Weldment	1
2	640-58-8404	Barrel Weldment	1
3	640-58-8375	Head	1
4	640-58-8405	Piston	1
5	640-58-8406	Stop Tube	1
6	561-41-0005	3/8-16 UNC Socket Set Screw x 3/8" lg	2
7	**	Wear Ring	3
8	**	Piston Ring	1
9	**	O-Ring	1
10	**	O-Ring	1
11	**	Back-up Ring	1
12	**	Wear Ring	1
13	**	Loader (O-Ring)	1
14	**	Step Seal (Buffer)	1
15	**	Polypack c/w O-Spring	1
16	**	Back-Up Ring	1
17	**	Rod Wiper	1
18	020-58-3031	Holding Valve (complete with hardware not shown)	1
	640-58-8187	Seal Kit (includes items marked **)	Ref

Hydra-Lift Crane HL18TC70
Extension Cylinder
SUB-ASSEMBLY # 020-58-6920





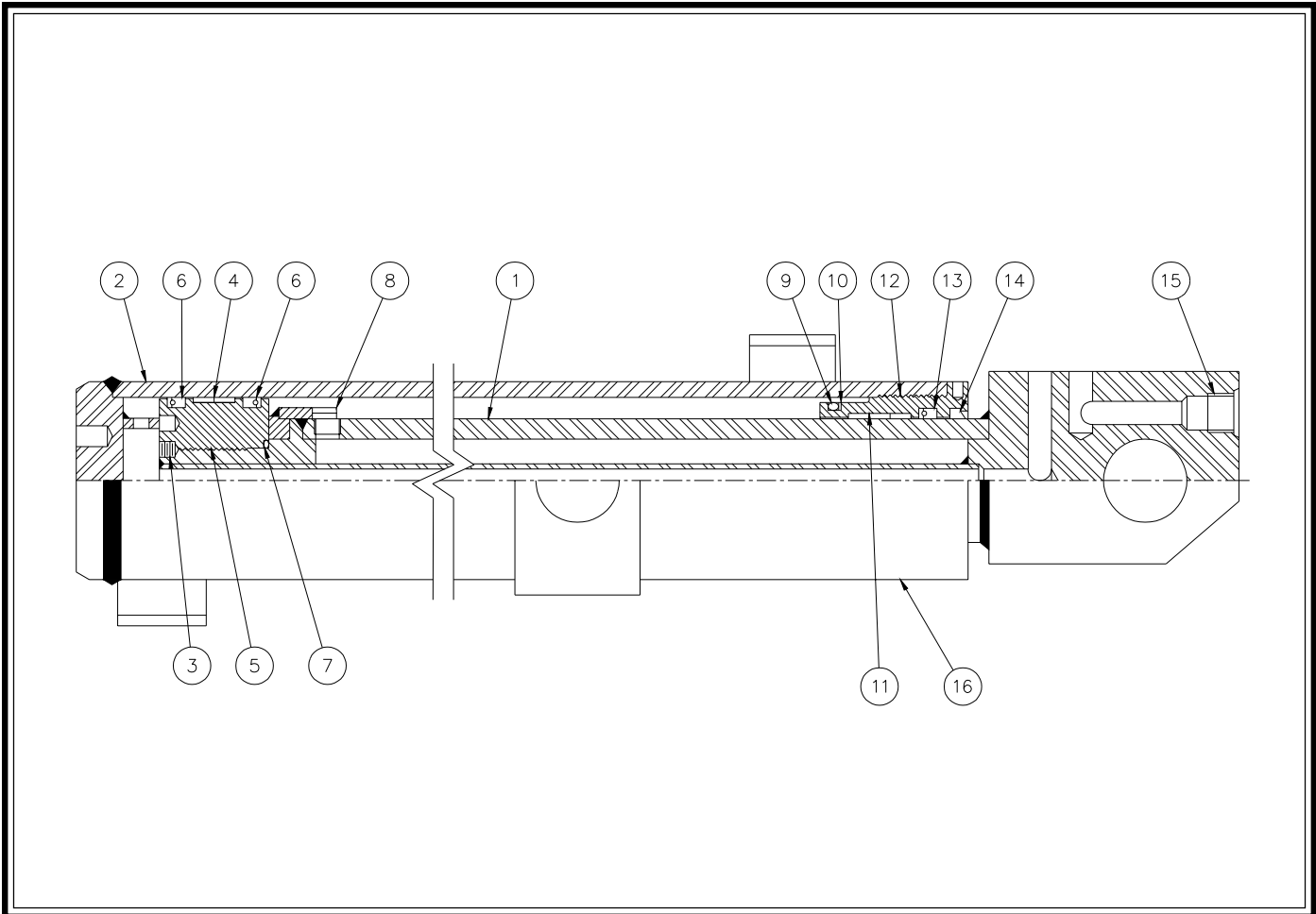
Hydra-Lift Crane HL18TC70
Extension Cylinder
SUB-ASSEMBLY # 020-58-6920

Revised July 1, 1997

ITEM	PART NO.	DESCRIPTION	QTY
1	604-58-8139	Extension Cylinder	1
	604-58-6816	Extension Cylinder (Old Style)	Ref
2	020-58-6900	Extension Sheave Support Weldment	1
3	040-58-6917	5/8" Ø Cable Assembly (Extension)	2
4	020-58-6622	Pin Lock Weldment Extension Sheave Support	1
5	020-58-6625	Shaft Extension Sheave	1
6	020-58-6642	Sheave Assembly (includes item 19)	2
7	020-58-6627	Pin Cable Retainer Extension Sheave	2
8	020-58-6626	Pin Roller Support	2
9	601-00-3031	Holding Valve c/w Bolts, Lockwasher & O-Rings	1
10	561-01-3219	5/8-11 UNC HHCS x 1-1/4" lg (Gr.8)	4
11	560-25-0002	5/8" Ø Flatwasher (Hardened)	4
12	561-01-3194	1/2-13 UNC HHCS x 3-1/2" lg (Gr.8)	1
13	562-05-0008	1/2-13 UNC Nylock Nut (Gr.5)	1
14	557-00-1610	Grease Fitting -1/8 NPT Straight	2
15	564-01-0008	Cotter Pin -1/8" x 1-1/4" lg	8
16	991-00-0010	Reinforced Wheel - 4" dia	2
17	502-05-5934	Adapter 90° Swivel - #12-ORB x #12-JICM	2
18	507-43-6250	Adapter 90° - #12-ORB x #12-ORB Female	2
19	020-58-6643	Sheave Bushing (2-1/2" OD x 2" ID x 1-1/2" lg)	2
20	020-58-7773	Spacer - Retention Pin	1

Hydra-Lift Crane HL18TC70
Extension Cylinder (4" Bore, 3.5" Rod, 208.75" Stroke)
ASSEMBLY # 604-58-6816 (Obselete)

Revised July 1, 1997



ITEM	PART NO.	DESCRIPTION	QTY
1	640-01-0291	Rod Weldment	1
2	640-01-0332	Tube Weldment	1
3	561-41-0005	3/8-16 UNC Socket Set Screw x 3/8" lg	1
4	**	Wear Ring	1
5	640-01-0272	Piston	1
6	**	U-Cup	2
7	**	O-Ring Seal	1
8	640-01-0274	Stopper	1
9	**	O-Ring Seal	1
10	**	Back-up Ring	1
11	**	Wear Ring	3
12	640-01-0318	Head	1
13	**	Polypack	1
14	**	Rod Wiper	1
15	640-01-0254	Recessed Hex Plug	4
16	640-01-0252	Set Screw	1
17	020-58-3031	Holding Valve (complete with hardware not shown)	1
	640-01-0276	Seal Kit (includes items marked **)	Ref